

EMJ-A5APA Series Servo Motor



FEATURES

- **Rated Torque of 22 oz-in**
- **Medium Inertia to Maximize Torque**
- **Peak Torque up to 300% of Rated Torque**
- **Peak Current up to 300% of Rated Current**
- **Maximum Speed up to 5,000 RPM**
- **2,500 PPR Incremental Encoder Attached**
- **Enclosed and Self-Cooled**
- **Power Rating up to 50 Watts**
- **Long Life and Highly Reliable**
- **IP 65 Rating**



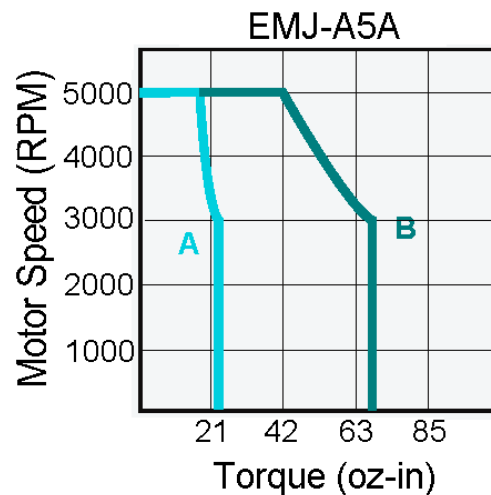
DESCRIPTION

The EMJ-A5APA is an AC Servo Motor with a low-cost solution for motion control. The EMJ-A5APA has a 65 IP Rating and is self cooled while being totally enclosed. Also, the Servo Motor features a medium inertia design to maximize torque at high speeds, with power of 50 watts. The EMJ-A5APA come equipped with a 2,500 PPR Incremental Encoder, 22 oz-in Rated Torque, and maximum speed of 5000 RPM. It is available in a 40mm square flange size, with and shaft options available.

SPECS

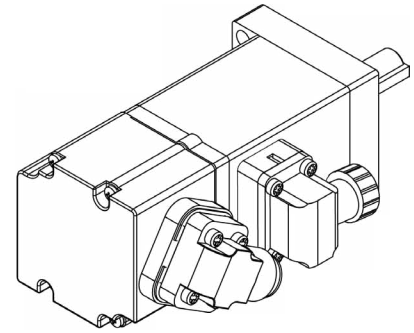
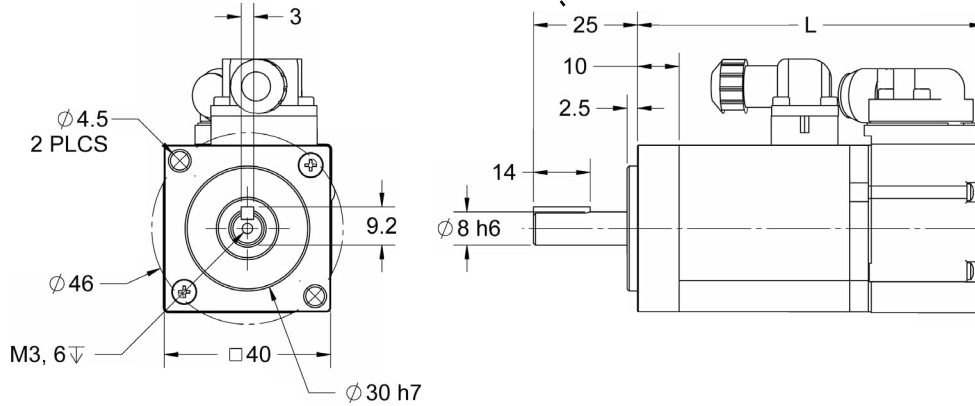
Model #	Rated Torque (oz-in)	Rated Power (Watts)	Rated Speed (RPM)	Max Speed (RPM)	Rated Current (A rms)	Max Current (A rms)	Brake (24VDC)	Inertia (oz-in-sec ²)	Torque Constant K _T (oz-in/A)	Resistance (ohms)	Weight (lbs)
EMJ-A5PA22	22	50	3000	5000	0.95	3.2	No	0.00103	0.244	12.5	4.41

TORQUE CURVE



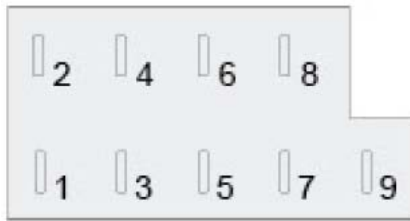
A: Continuous Working Area
B: Repeatedly Working Area

L011510



EMJ-A5APA22

Encoder Connector Specification:



Pin No.	Signal
1	-
2	-
3	S+
4	S-
5	-
6	-
7	PG5V
8	PG0V
9	FG

Motor Connector Specification:



Pin No.	Signal
1	V
2	W
3	U
4	PE

Power Requirement: 220VAC	Vibration: 49 m/s ²	Running Air Pressure: 86 to 106 kPa
Insulation Class: F	Ambient Temperature: 20% to 80% RH	Insulation Voltage Endurance: AC 1800C, 50Hz, 1 min
Ambient Temperature: 0°C to 40°C	Running Humidity: Not More Than 90%, Under 25°C	Insulation Impedance: Not Less Than 50M Under Normal Conditions
Running Temperature: -25°C to 40°C	IP Rating: 65	

Compatible Cables:

PDM-JO20-05	Power Cable
PMP-JO24-05	Encoder Cable

Compatible Driver:

PRONET-E-A5A